

1 2 3 4 5 6 7 8

A

A

B

B

C

C

D

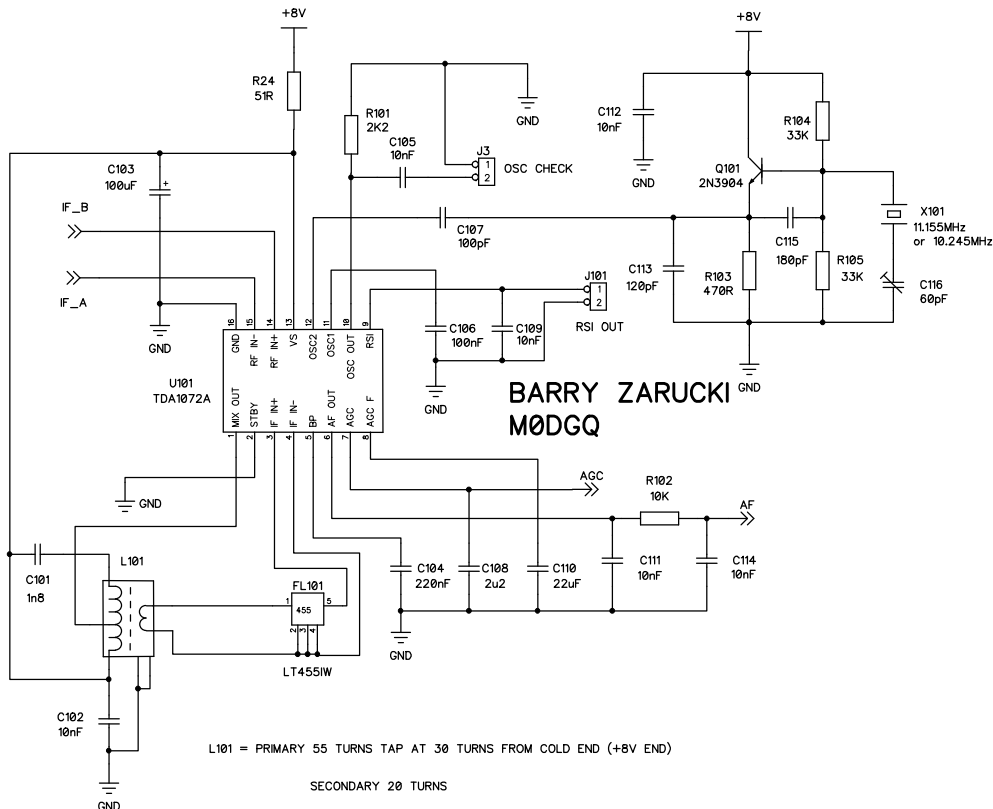
D

E

E

F

F



BARRY ZARUCKI
MØDGG

L101 = PRIMARY 55 TURNS TAP AT 30 TURNS FROM COLD END (+8V END)
 SECONDARY 20 TURNS
 Ø.05mm DIA ENAMELLED Cu WIRE
 USE 10EZ FORMER

1 2 3 4 5 6 7 8